

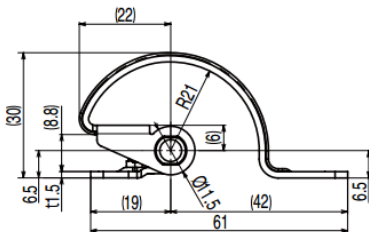
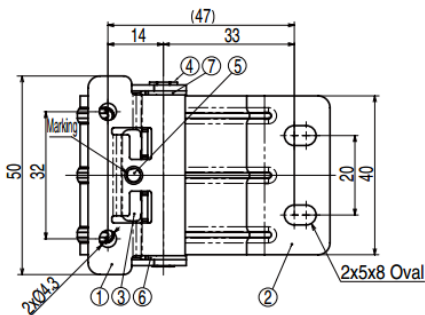
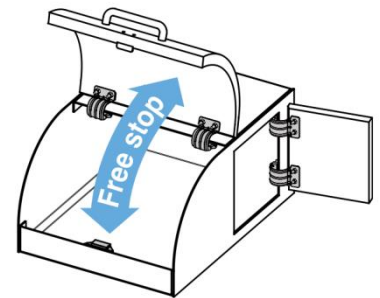
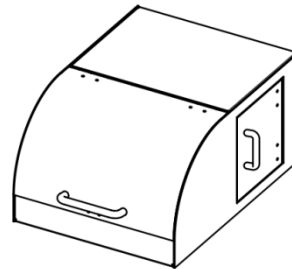
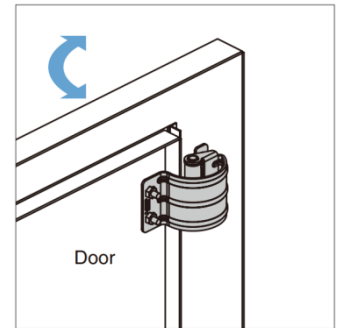
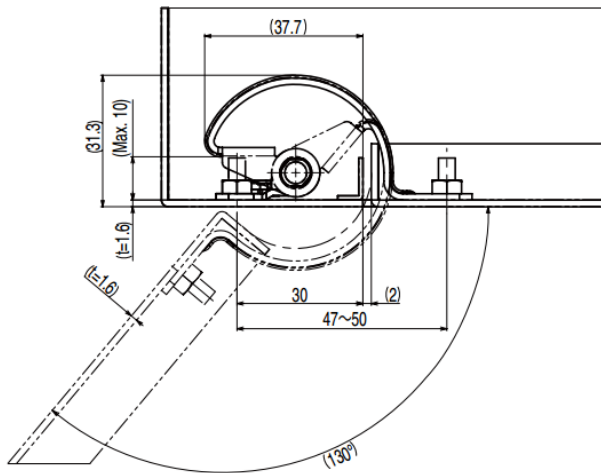
## GHG-TUWA Concealed Torque Hinge

### Features

- Hinge with friction torque holds lid / door in desired position
- High torque and wide opening angle of 130°
- Installation on the back side of the door for clean appearance
- Can be used for horizontal or vertical applications
- Passed 20,000 life cycle test

### Notes

- Ensure hinge shafts are aligned during installation



No.	Part Name	Material	Finish/Colour
①	Body	Stainless Steel (SUS304)	Barrel Polished
②	Base		
③	Press Washer	Stainless Steel (SUS303)	-
④	Shaft		
⑤	Pin	Stainless Steel	Black
⑥	Fixing Tube L	POM	
⑦	Fixing Tube R		

Part No.	Torque (per piece)	
GHG-TUWA07	0.7 N.m +40% -20%	7.1 kgf.cm +40% -20%
GHG-TUWA15	1.5 N.m +40% -20%	15.3 kgf.cm +40% -20%